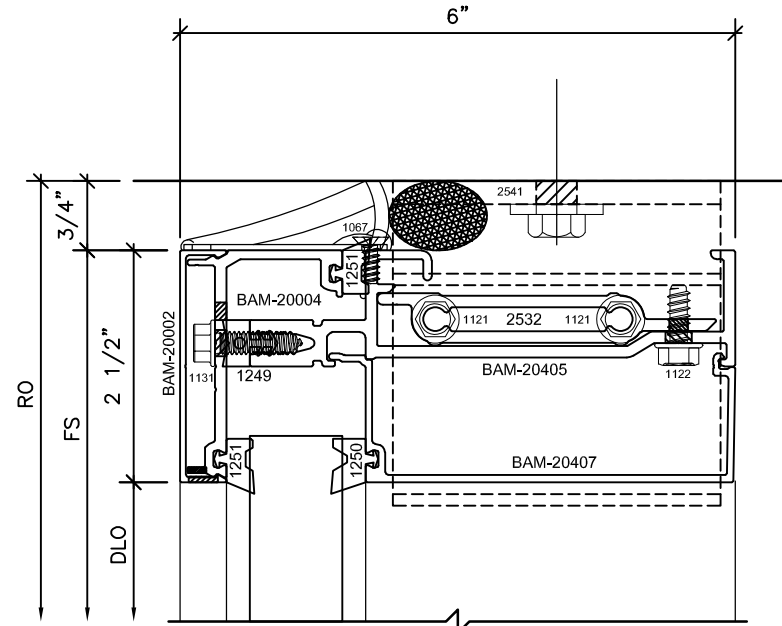
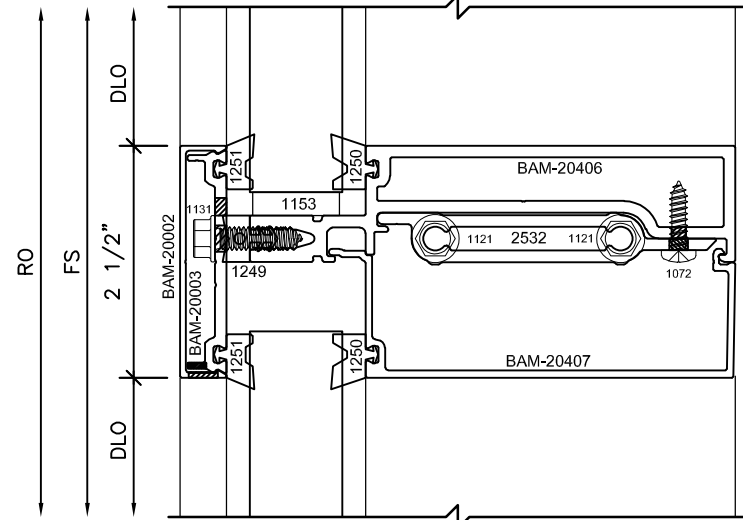


3 HEAD
 SERIES: B2500 CW
 MISC:

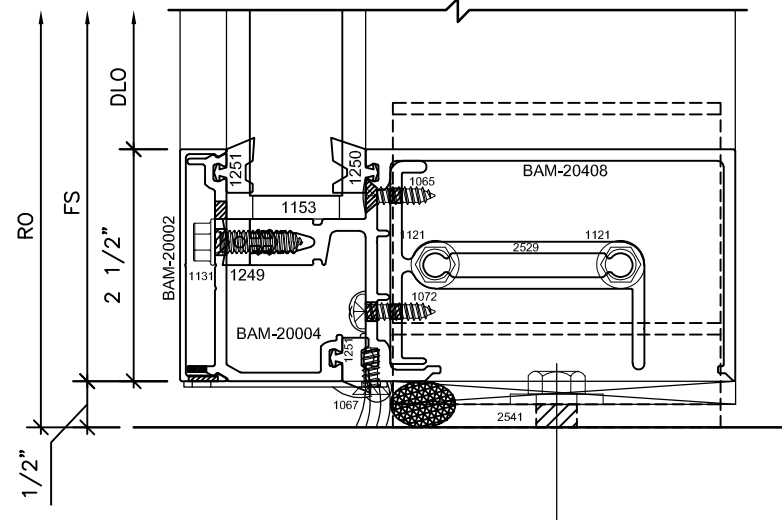


NOTE: EXAMPLE ANCHORS SHOWN. CONFIRM PROJECT REQUIREMENTS. (NBB)

2 HORIZ
 SERIES: B2500 CW
 MISC:

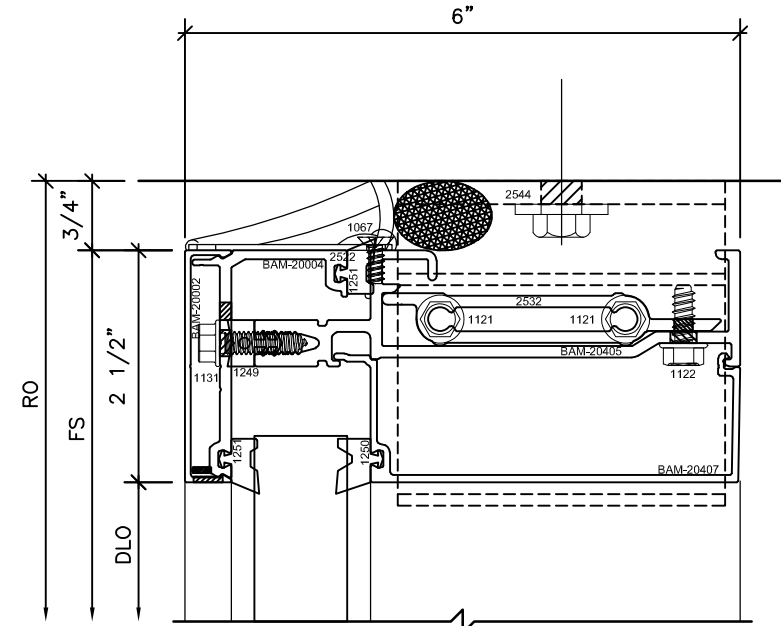


1 SILL
 SERIES: B2500 CW
 MISC:



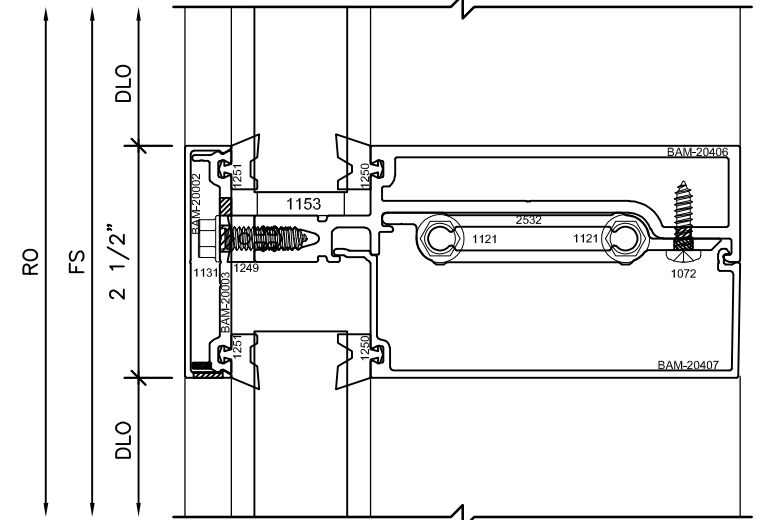
NOTE: EXAMPLE ANCHORS SHOWN. CONFIRM PROJECT REQUIREMENTS. (NBB)

3 HEAD
 SERIES: B2500 CW
 MISC:

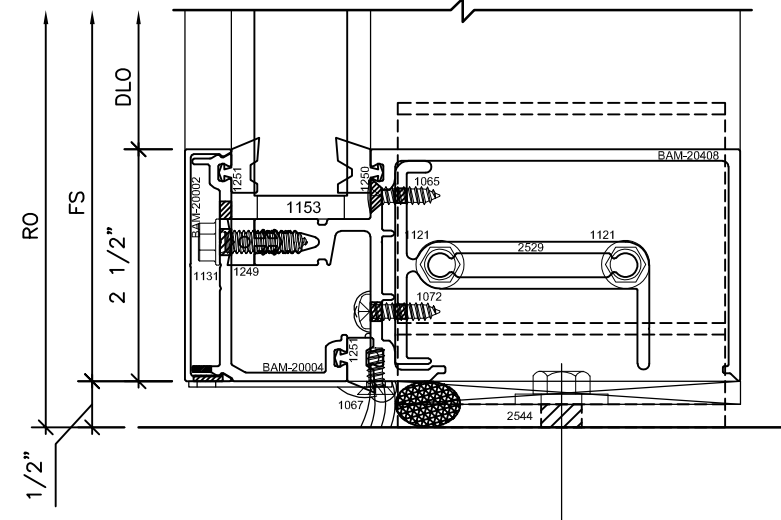


NOTE: EXAMPLE ANCHORS SHOWN. CONFIRM PROJECT REQUIREMENTS. (NBB)

2 HORIZ
 SERIES: B2500 CW
 MISC:

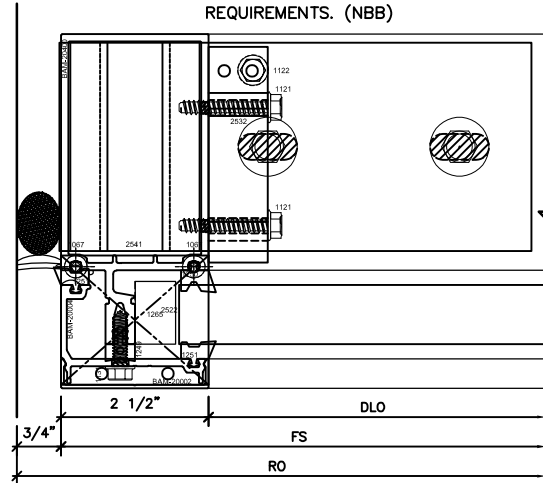


1 SILL
 SERIES: B2500 CW
 MISC:



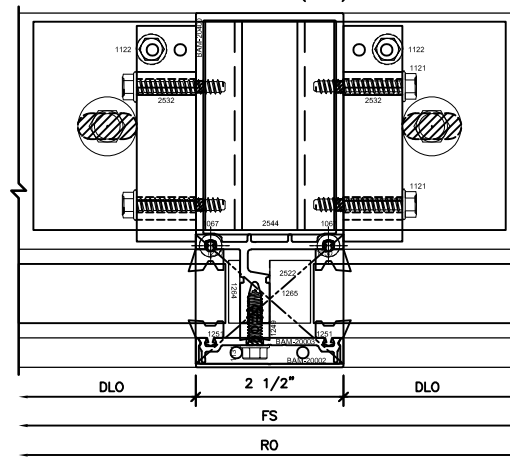
NOTE: EXAMPLE ANCHORS SHOWN. CONFIRM PROJECT REQUIREMENTS. (NBB)

NOTE: EXAMPLE ANCHORS SHOWN. CONFIRM PROJECT REQUIREMENTS. (NBB)



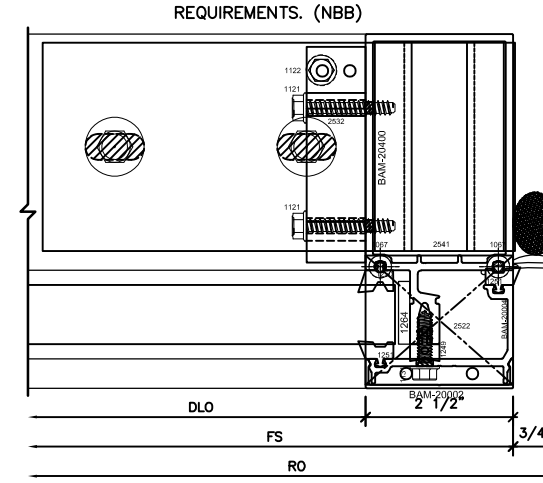
4 JAMB
SERIES: B2500 CW
MISC:

NOTE: EXAMPLE ANCHORS SHOWN. CONFIRM PROJECT REQUIREMENTS. (NBB)

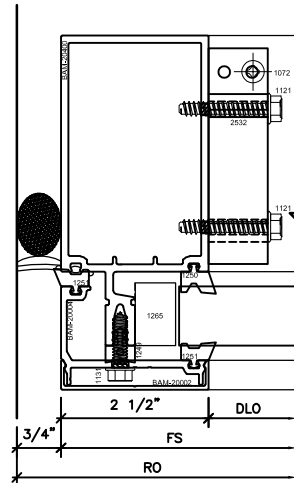


5 MULL
SERIES: B2500 CW
MISC:

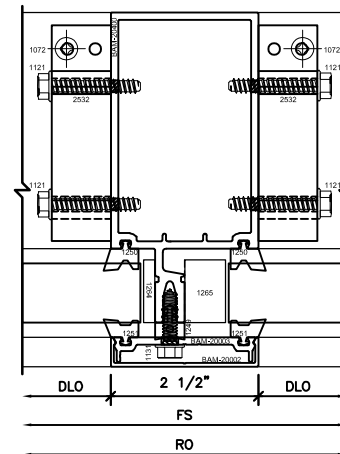
NOTE: EXAMPLE ANCHORS SHOWN. CONFIRM PROJECT REQUIREMENTS. (NBB)



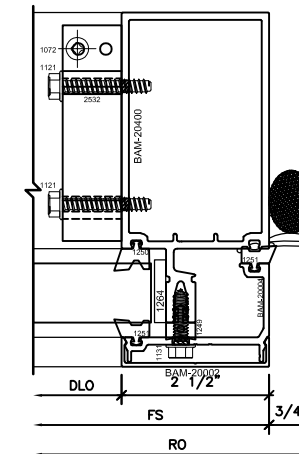
6 JAMB
SERIES: B2500 CW
MISC:



4 JAMB
SERIES: B2500 CW
MISC:

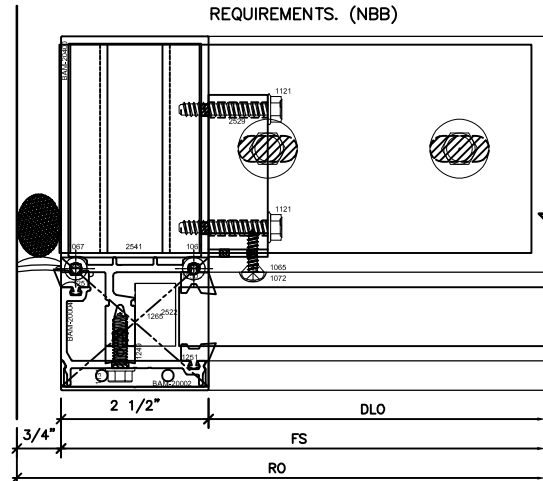


5 MULL
SERIES: B2500 CW
MISC:



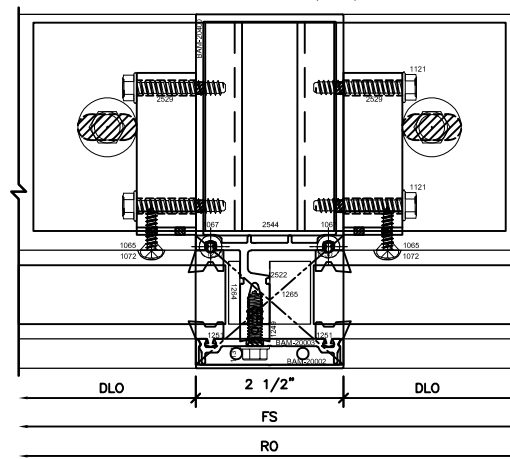
6 JAMB
SERIES: B2500 CW
MISC:

NOTE: EXAMPLE ANCHORS SHOWN. CONFIRM PROJECT REQUIREMENTS. (NBB)



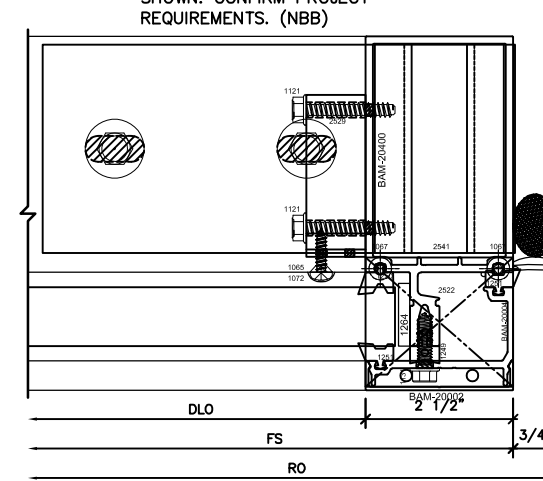
4 JAMB
SERIES: B2500 CW
MISC:

NOTE: EXAMPLE ANCHORS SHOWN. CONFIRM PROJECT REQUIREMENTS. (NBB)



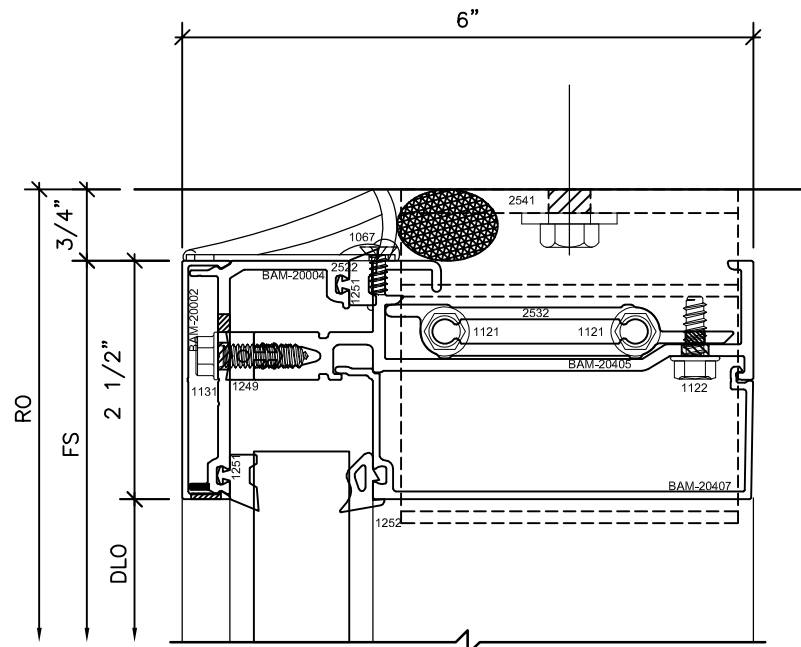
5 MULL
SERIES: B2500 CW
MISC:

NOTE: EXAMPLE ANCHORS SHOWN. CONFIRM PROJECT REQUIREMENTS. (NBB)



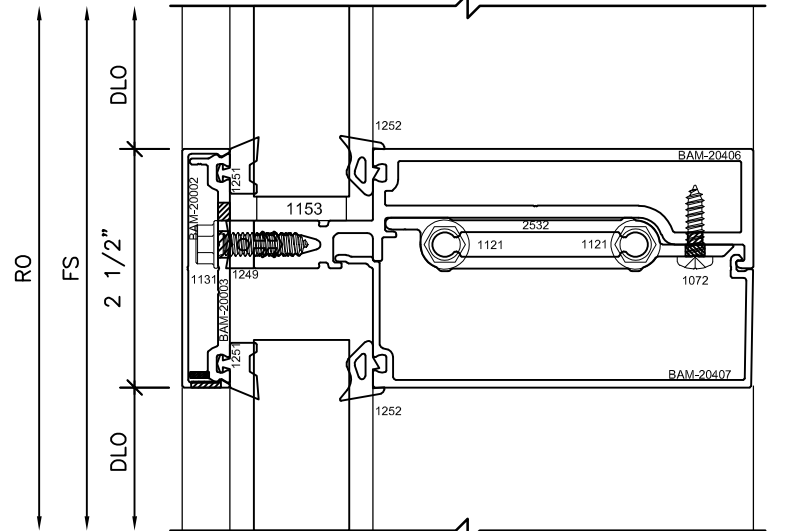
6 JAMB
SERIES: B2500 CW
MISC:

3 HEAD
 SERIES: B2500 CW
 MISC:

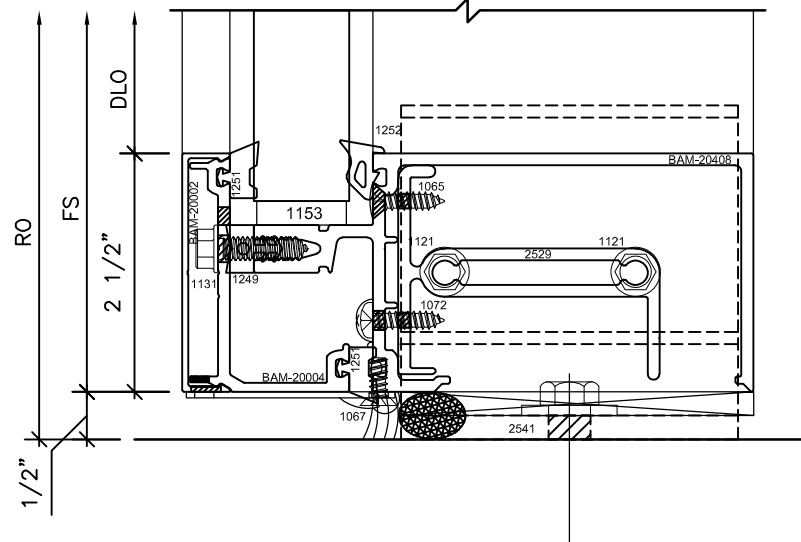


NOTE: EXAMPLE ANCHORS SHOWN. CONFIRM PROJECT REQUIREMENTS. (NBB)

2 HORIZ
 SERIES: B2500 CW
 MISC:

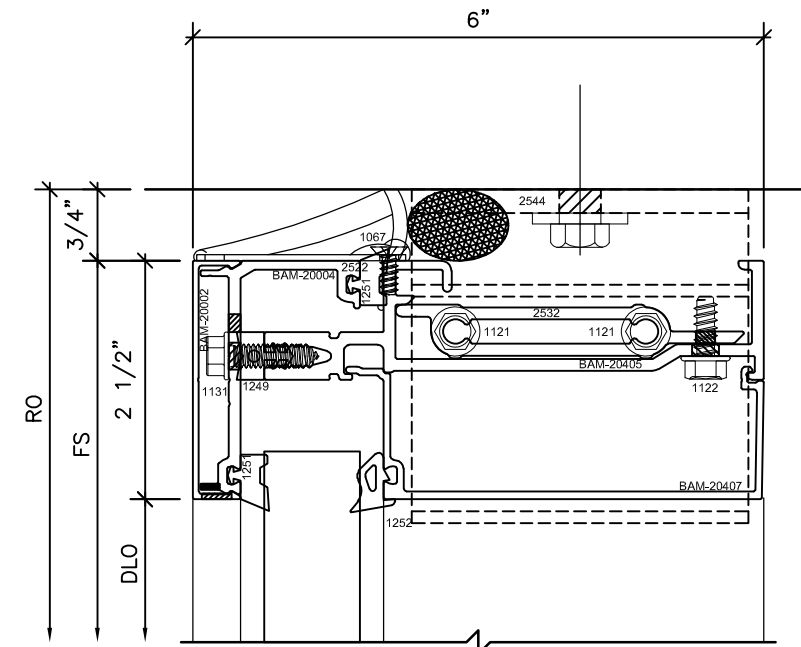


1 SILL
 SERIES: B2500 CW
 MISC:



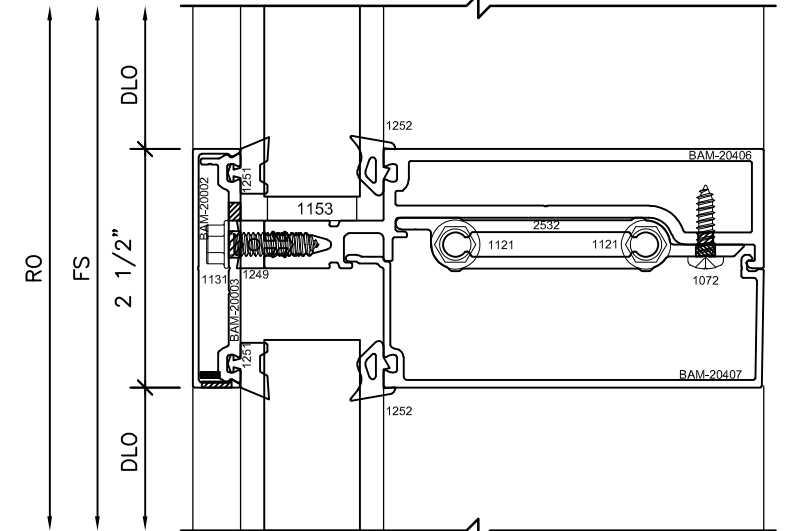
NOTE: EXAMPLE ANCHORS SHOWN. CONFIRM PROJECT REQUIREMENTS. (NBB)

3 HEAD
 SERIES: B2500 CW
 MISC:

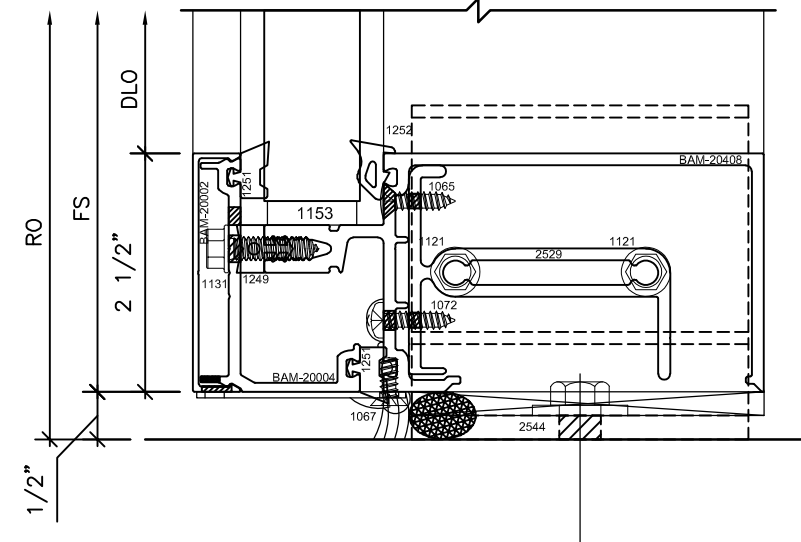


NOTE: EXAMPLE ANCHORS SHOWN. CONFIRM PROJECT REQUIREMENTS. (NBB)

2 HORIZ
 SERIES: B2500 CW
 MISC:

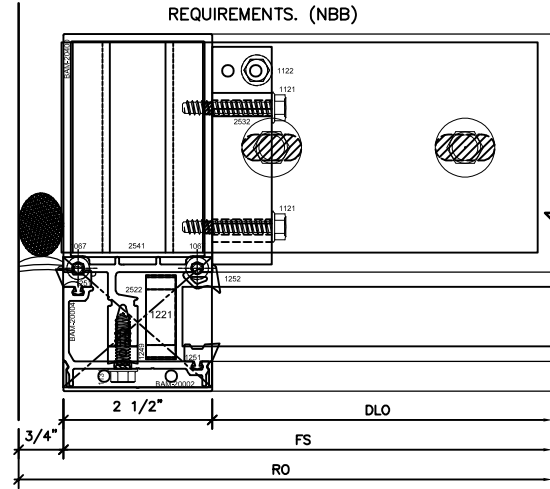


1 SILL
 SERIES: B2500 CW
 MISC:



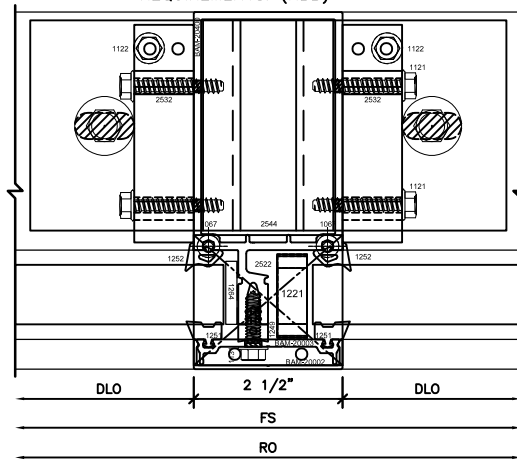
NOTE: EXAMPLE ANCHORS SHOWN. CONFIRM PROJECT REQUIREMENTS. (NBB)

NOTE: EXAMPLE ANCHORS SHOWN. CONFIRM PROJECT REQUIREMENTS. (NBB)



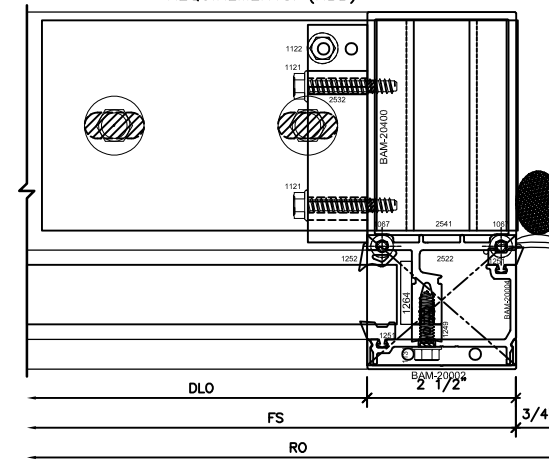
4 JAMB
SERIES: B2500 CW
MISC:

NOTE: EXAMPLE ANCHORS SHOWN. CONFIRM PROJECT REQUIREMENTS. (NBB)

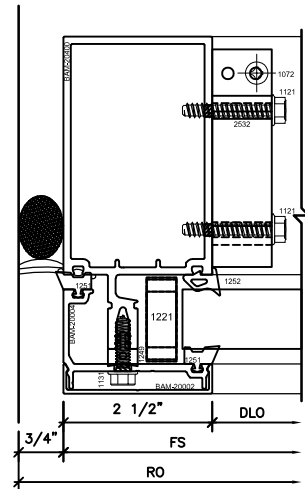


5 MULL
SERIES: B2500 CW
MISC:

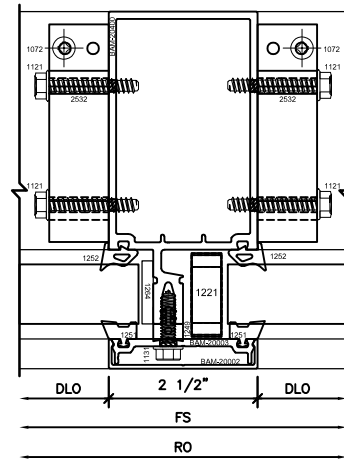
NOTE: EXAMPLE ANCHORS SHOWN. CONFIRM PROJECT REQUIREMENTS. (NBB)



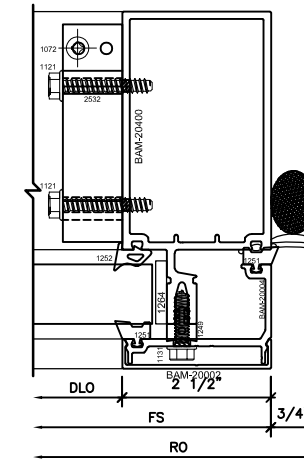
6 JAMB
SERIES: B2500 CW
MISC:



4 JAMB
SERIES: B2500 CW
MISC:

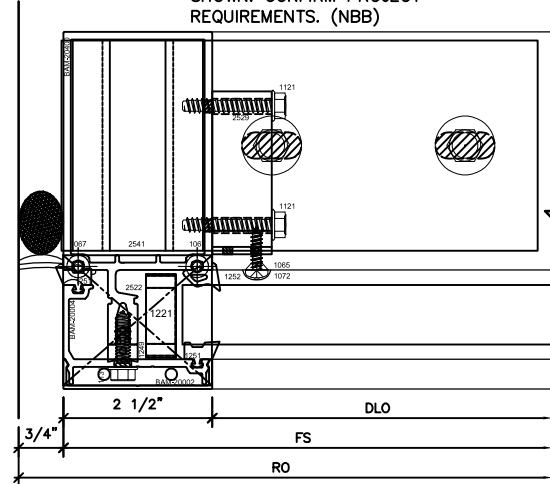


5 MULL
SERIES: B2500 CW
MISC:



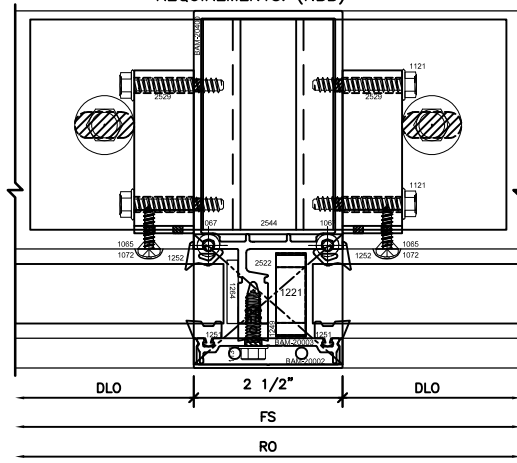
6 JAMB
SERIES: B2500 CW
MISC:

NOTE: EXAMPLE ANCHORS SHOWN. CONFIRM PROJECT REQUIREMENTS. (NBB)



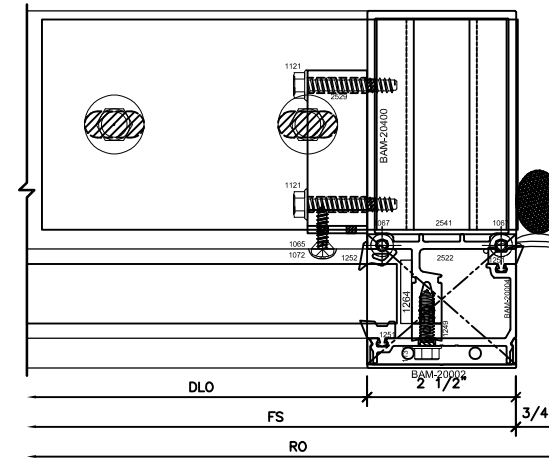
4 JAMB
SERIES: B2500 CW
MISC:

NOTE: EXAMPLE ANCHORS SHOWN. CONFIRM PROJECT REQUIREMENTS. (NBB)



5 MULL
SERIES: B2500 CW
MISC:

NOTE: EXAMPLE ANCHORS SHOWN. CONFIRM PROJECT REQUIREMENTS. (NBB)



6 JAMB
SERIES: B2500 CW
MISC:

5

CORNER MULL

SERIES: B2500 CW

MISC:

